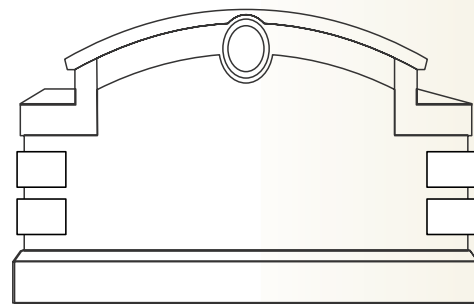
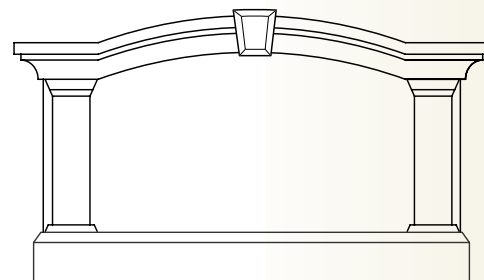


FDC™ EPS Signages provide a complete line of EPS monuments sign series, letterings, and custom logos. The monument signs are pre-manufactured in stucco or simulated stone finish and ready to be install. This is a light weight durable product. Letterings and custom logos can be order in raw foam or coated with stucco. FDC™ StoneKote trims can be used to trim sign border. We can work with your floorplan or sketches, we can cut and coat any shape or design.

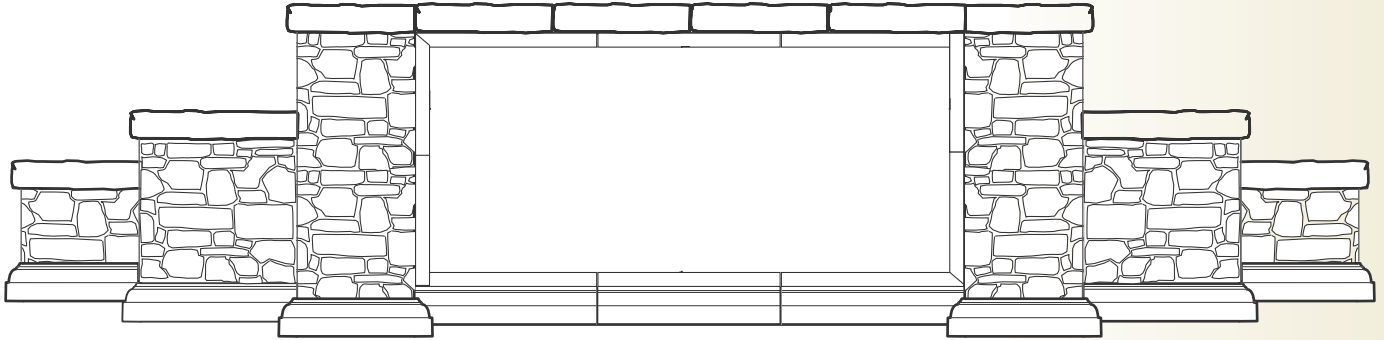
Our Goal is to provide you with the highest quality products and services within budget and complete satisfaction.



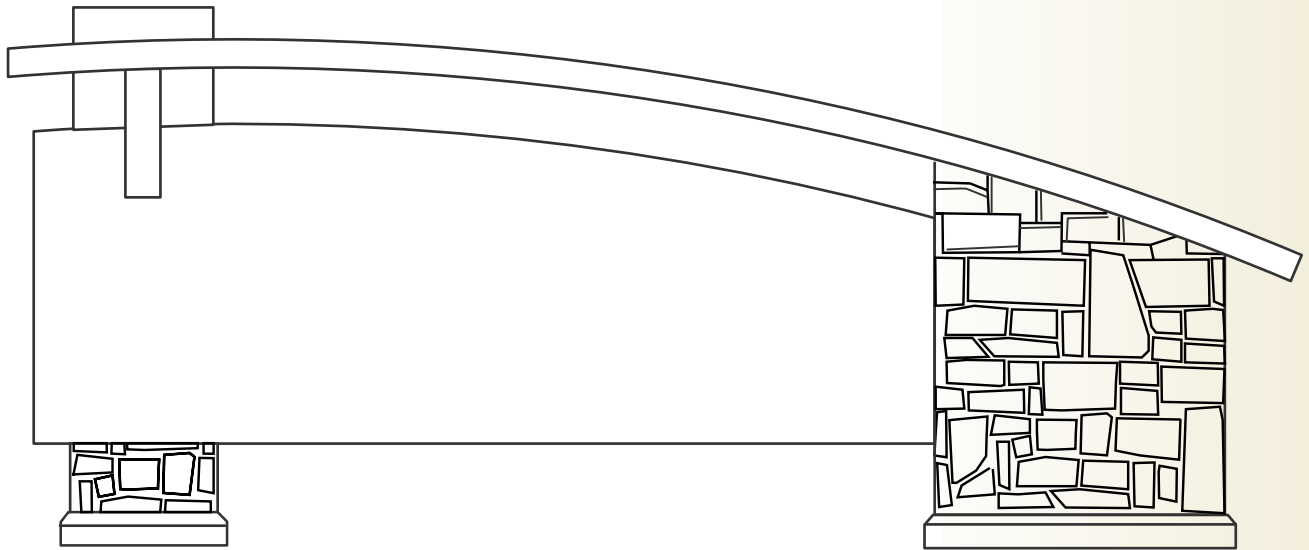
FDC_SGN202



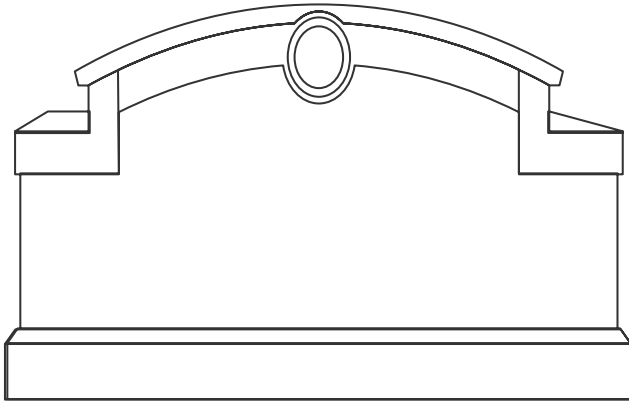
FDC_SGN404



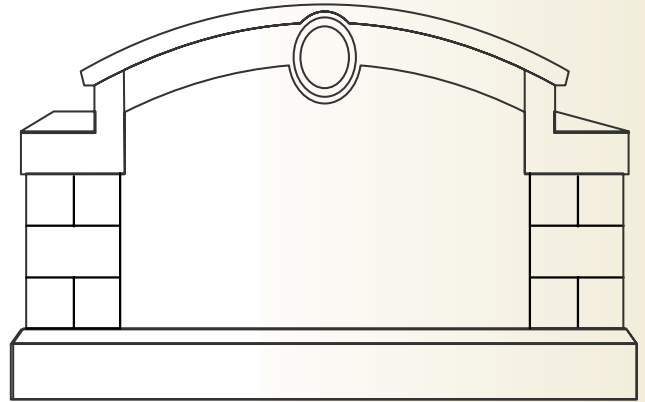
FDC_SGN100



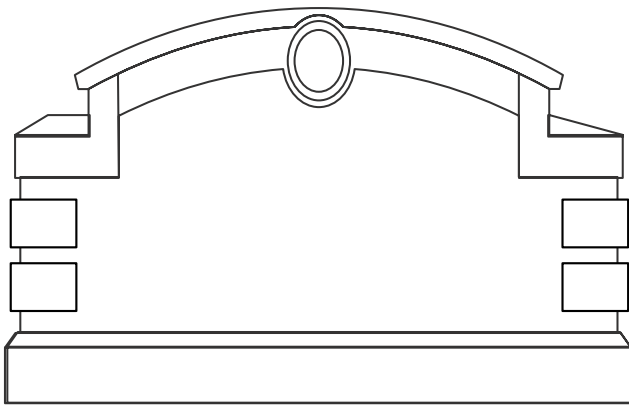
FDC_SGN101



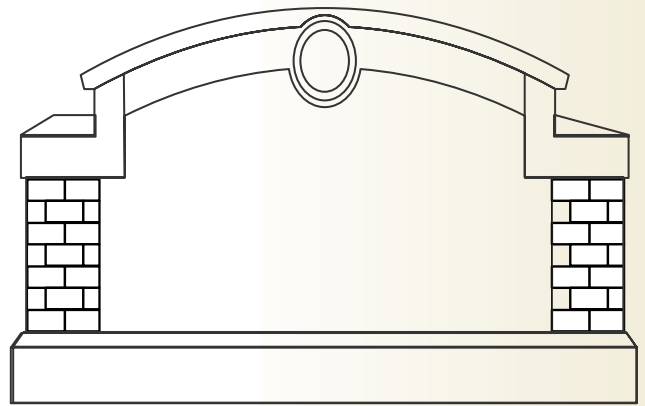
FDC_SGN200



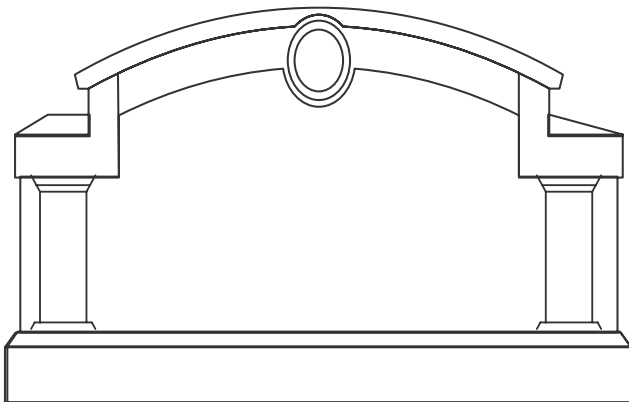
FDC_SGN201



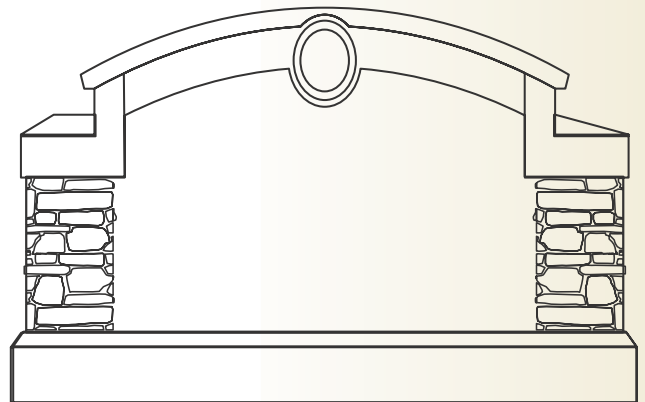
FDC_SGN202



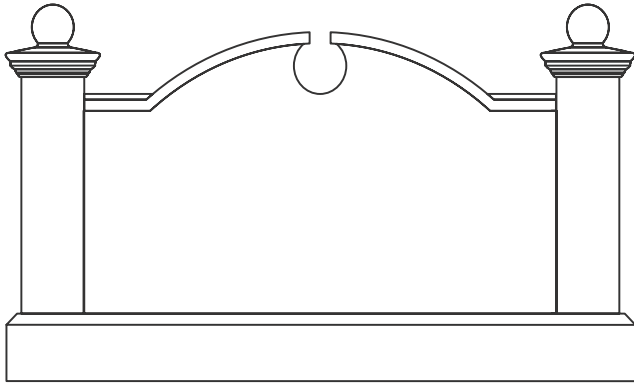
FDC_SGN203



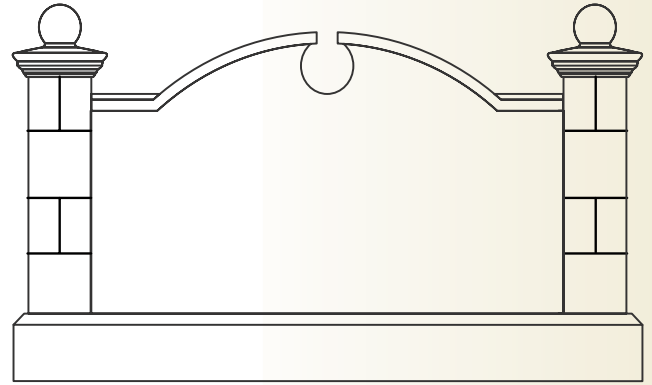
FDC_SGN204



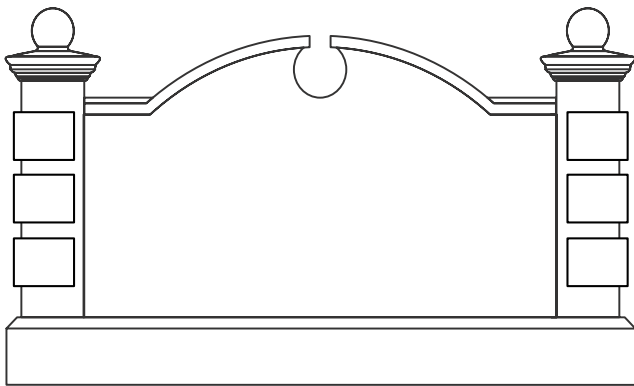
FDC_SGN205



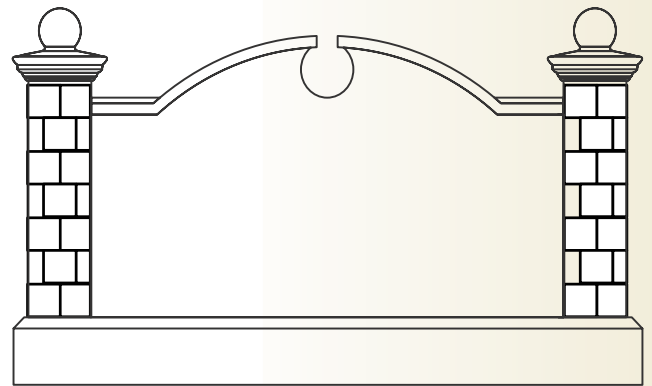
FDC_SGN300



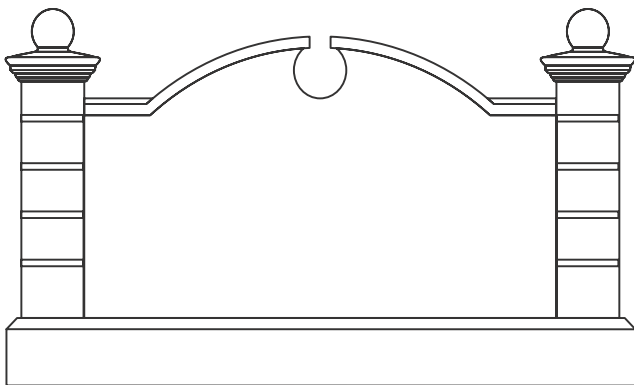
FDC_SGN301



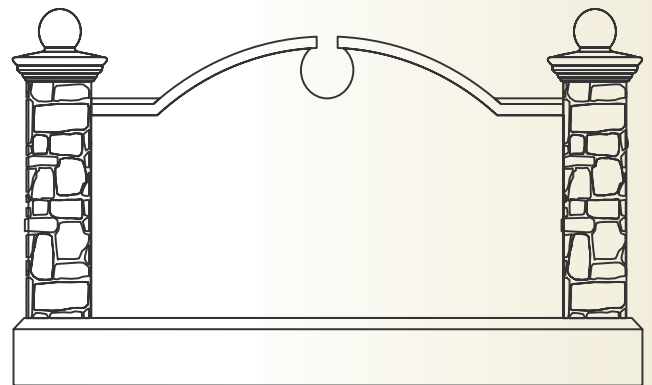
FDC_SGN302



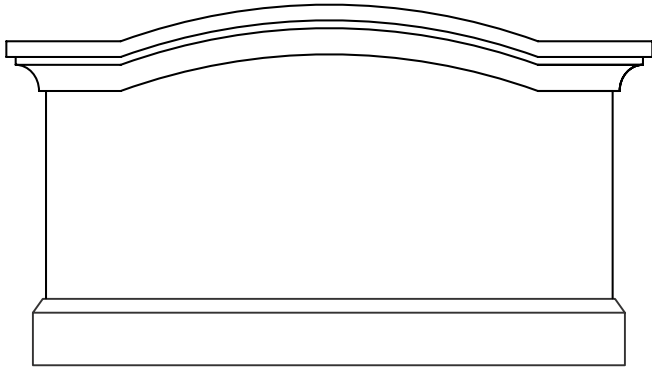
FDC_SGN303



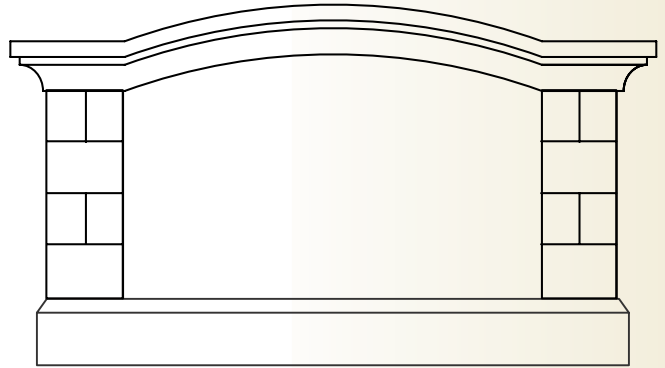
FDC_SGN304



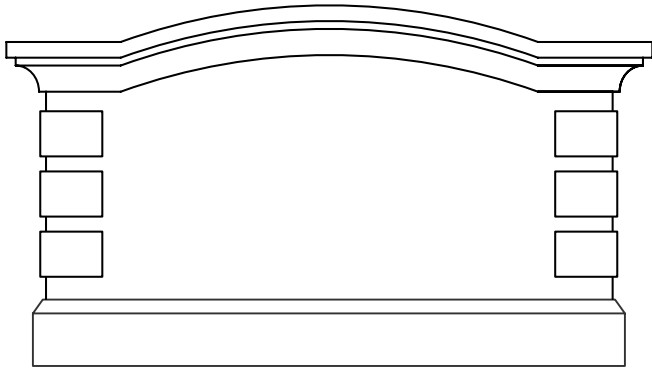
FDC_SGN305



FDC_SGN400



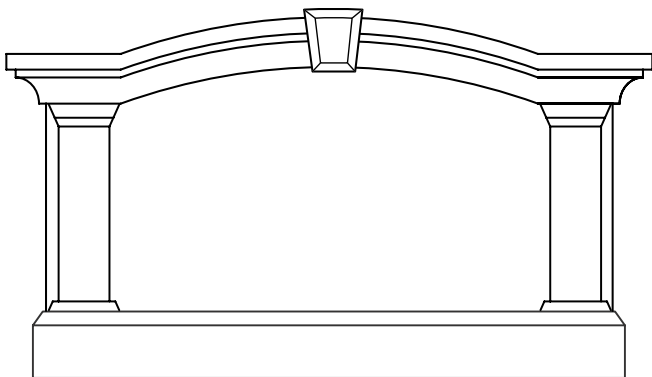
FDC_SGN401



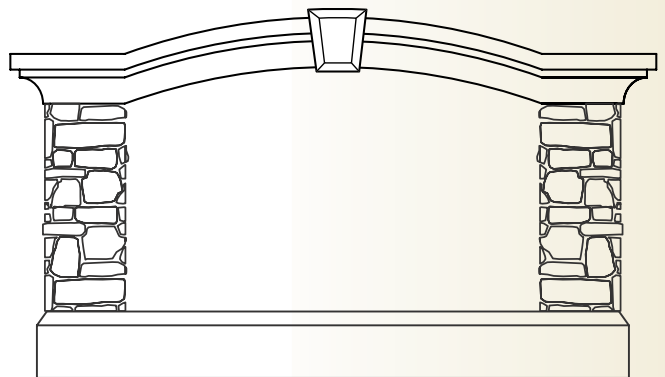
FDC_SGN402



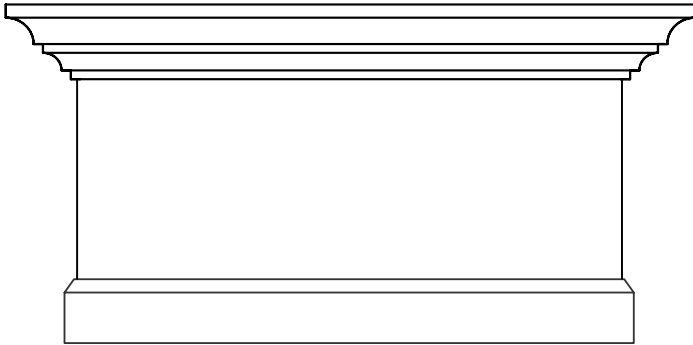
FDC_SGN403



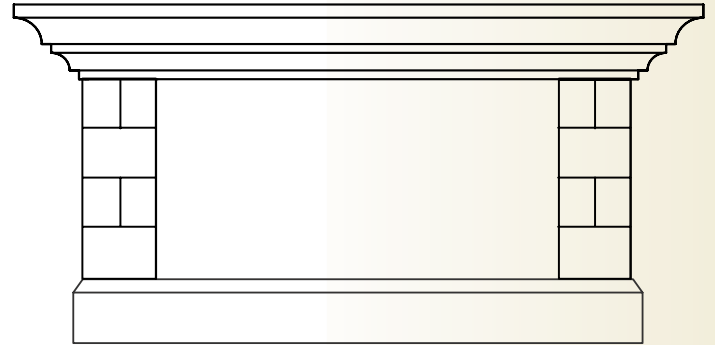
FDC_SGN404



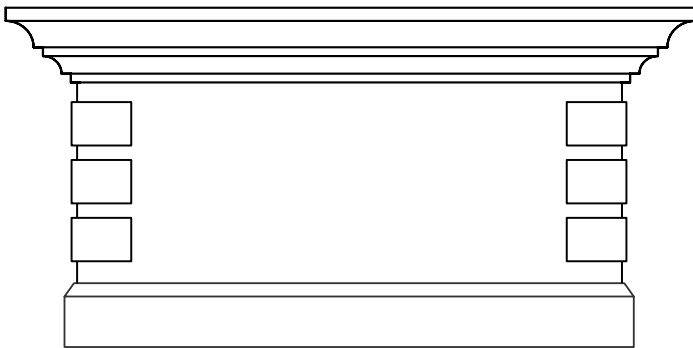
FDC_SGN405



FDC_SGN500



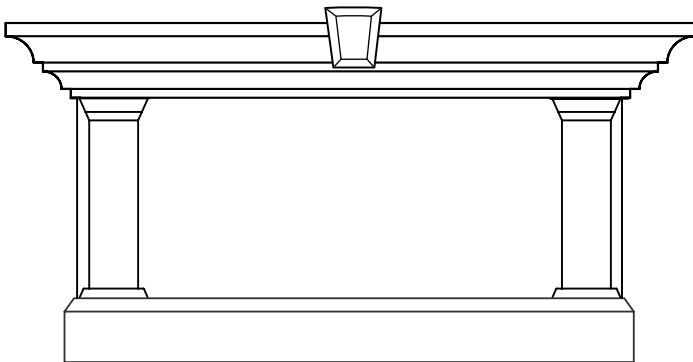
FDC_SGN501



FDC_SGN502



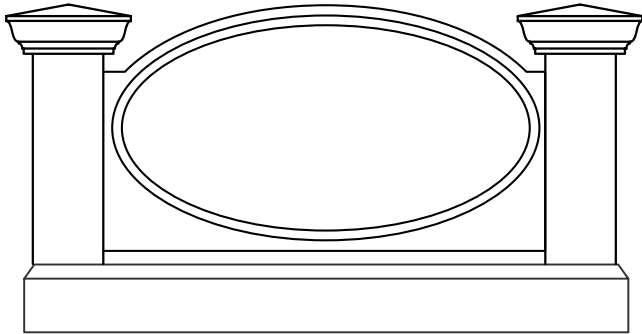
FDC_SGN503



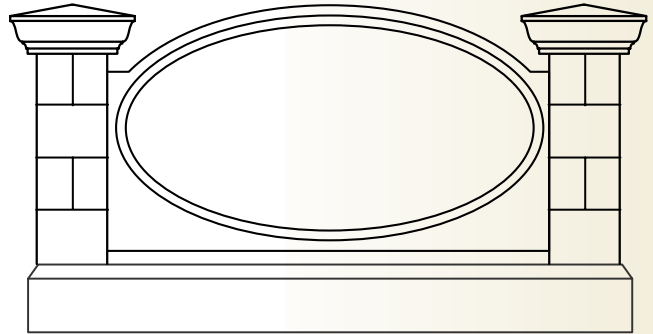
FDC_SGN504



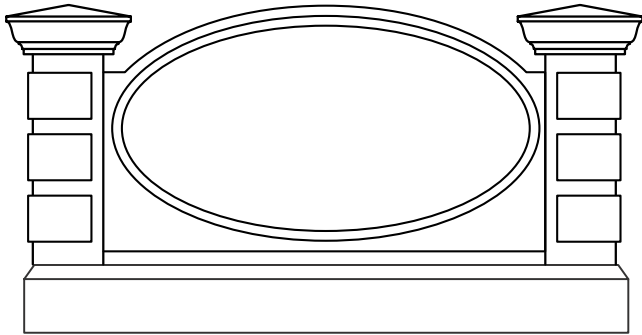
FDC_SGN505



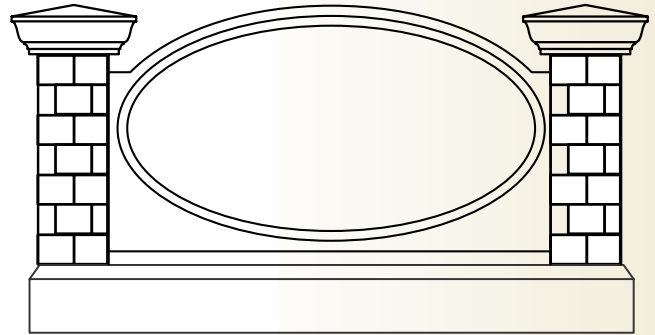
FDC_SGN600



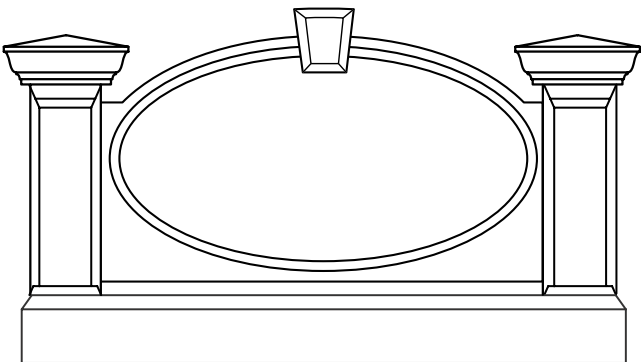
FDC_SGN601



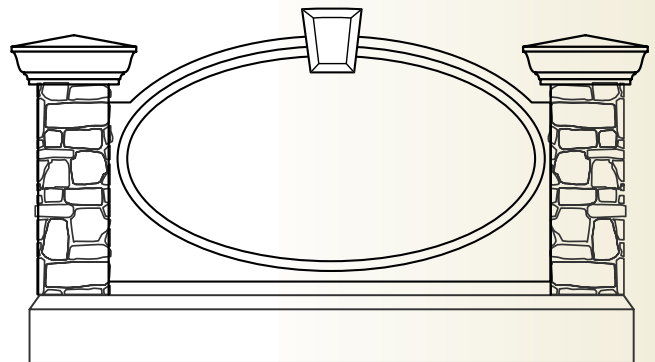
FDC_SGN602



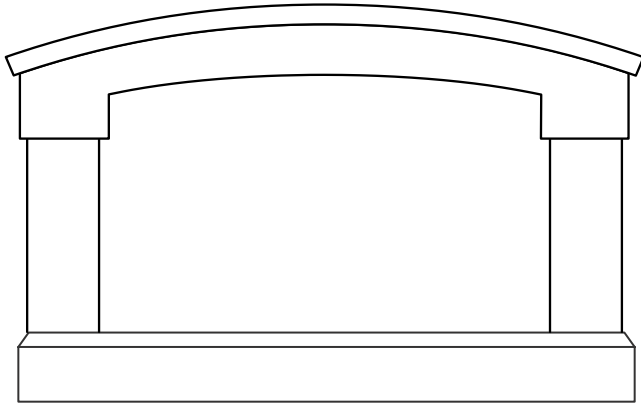
FDC_SGN603



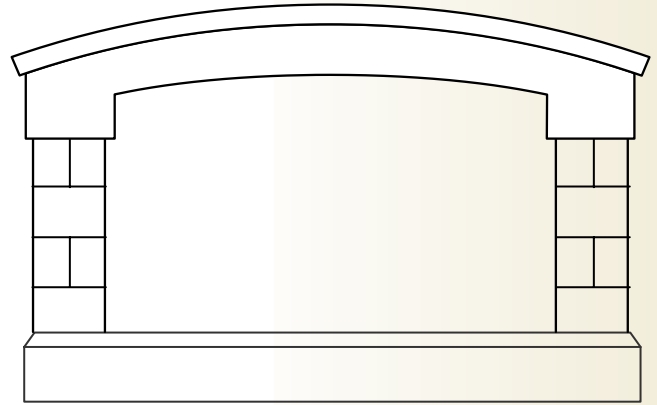
FDC_SGN604



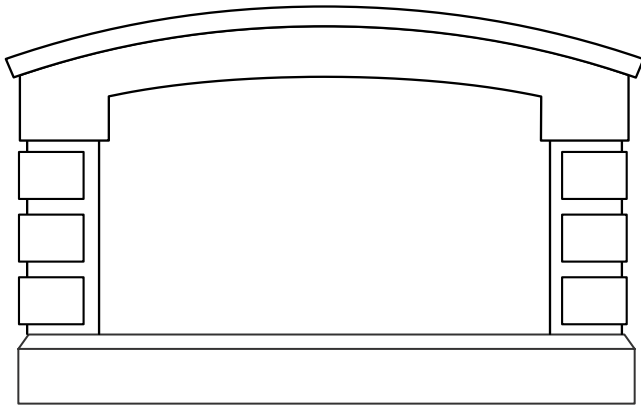
FDC_SGN605



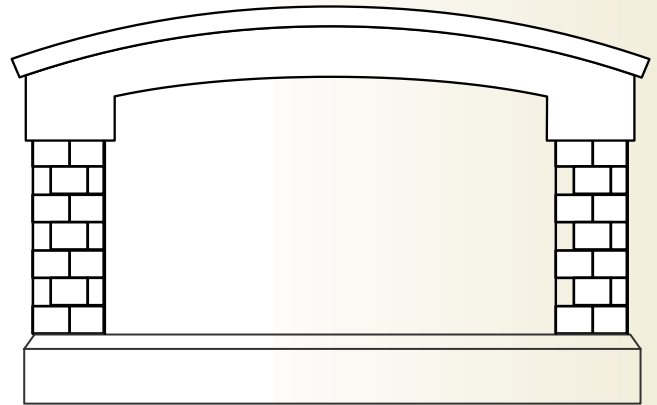
FDC_SGN700



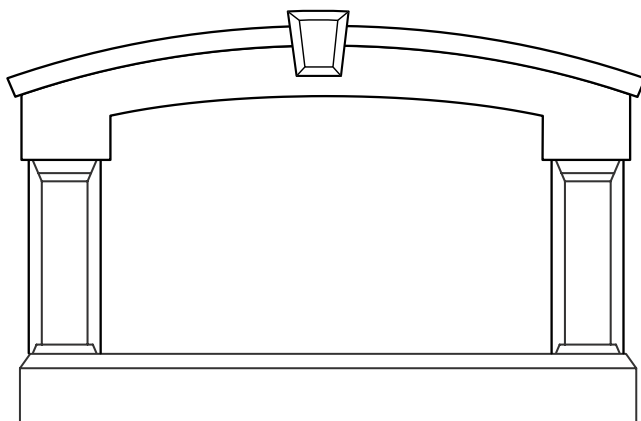
FDC_SGN701



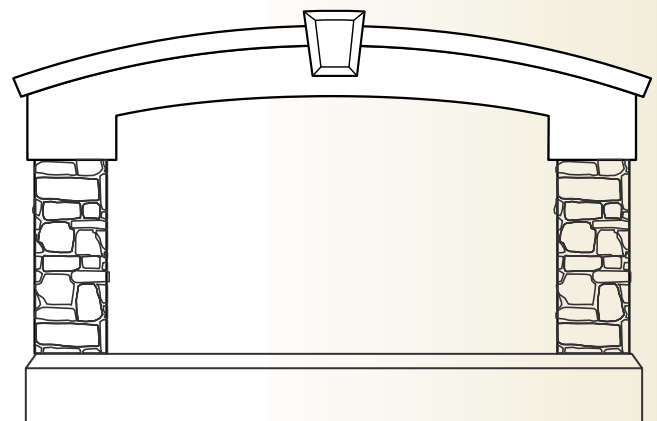
FDC_SGN702



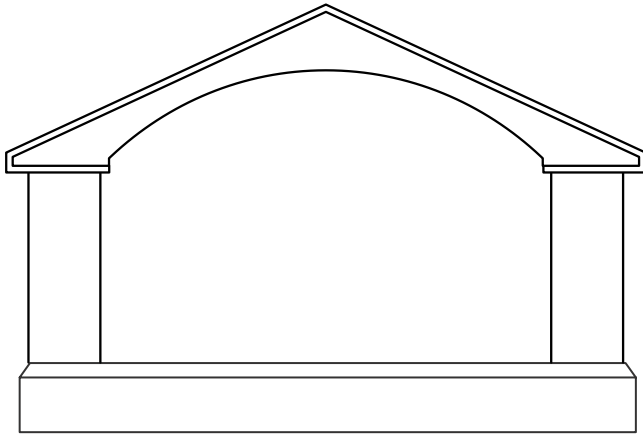
FDC_SGN703



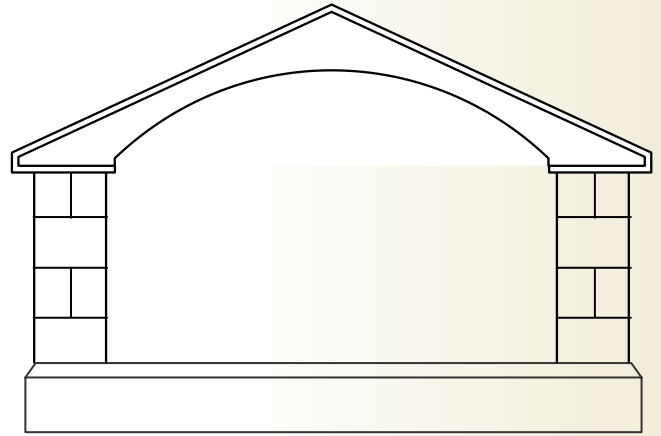
FDC_SGN704



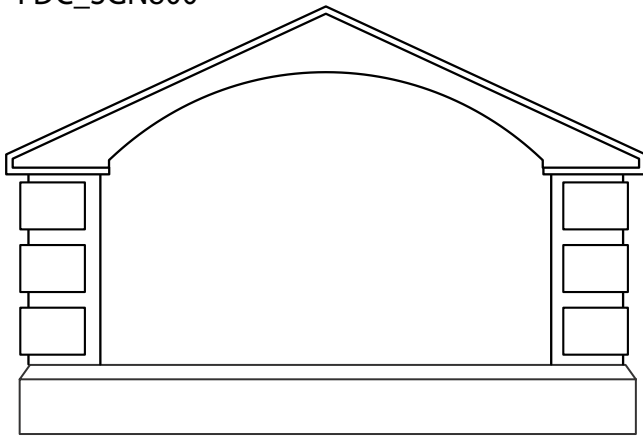
FDC_SGN705



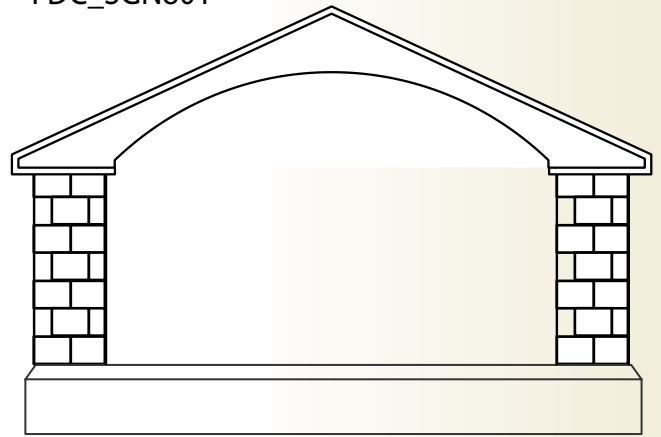
FDC_SGN800



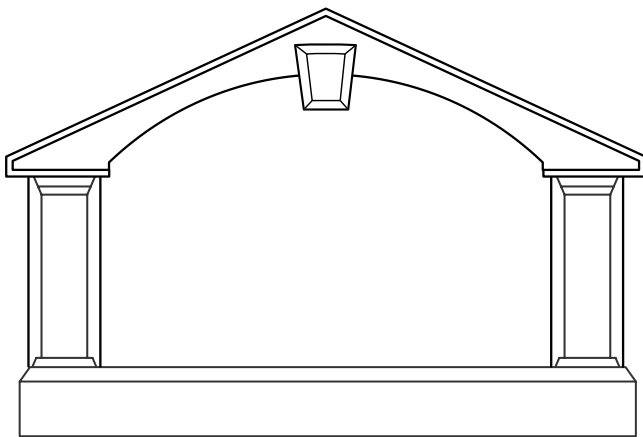
FDC_SGN801



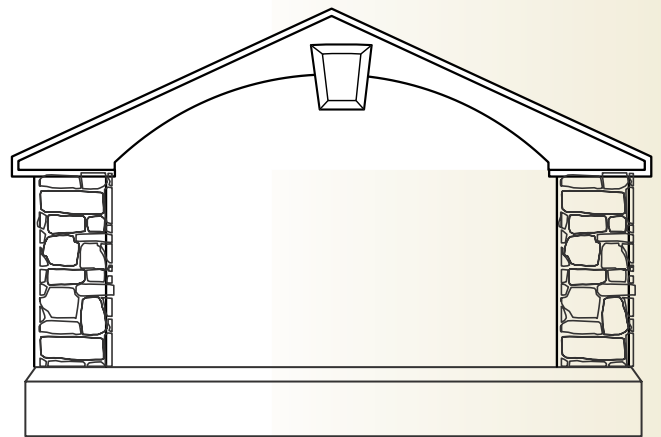
FDC_SGN802



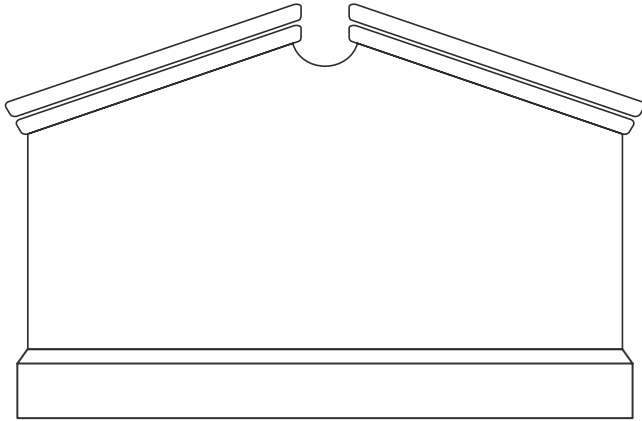
FDC_SGN803



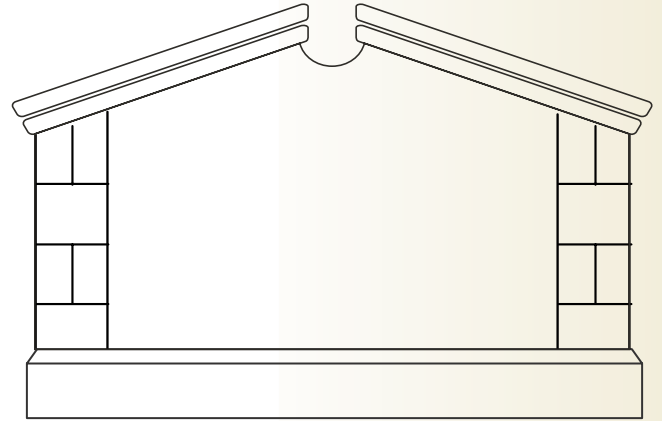
FDC_SGN804



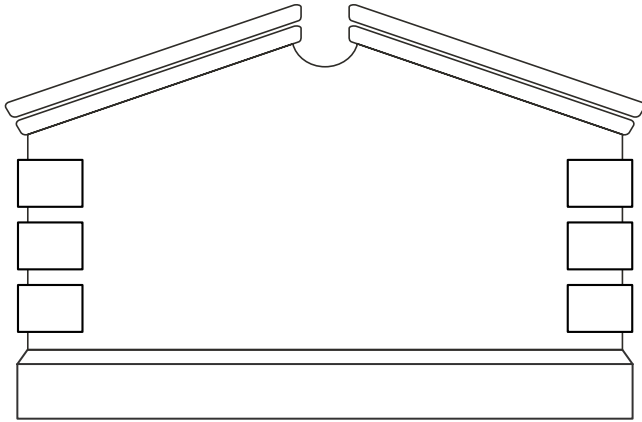
FDC_SGN805



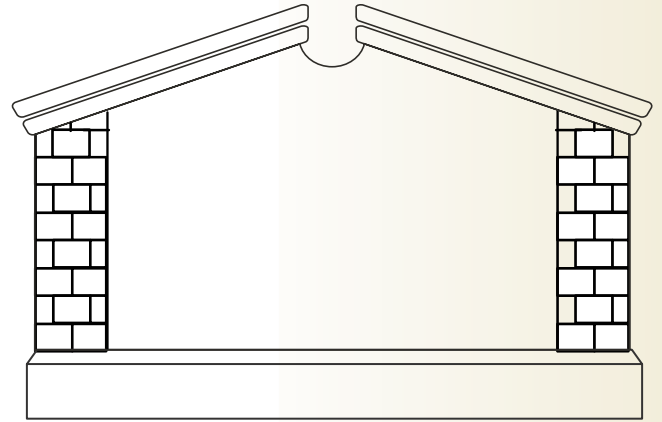
FDC_SGN900



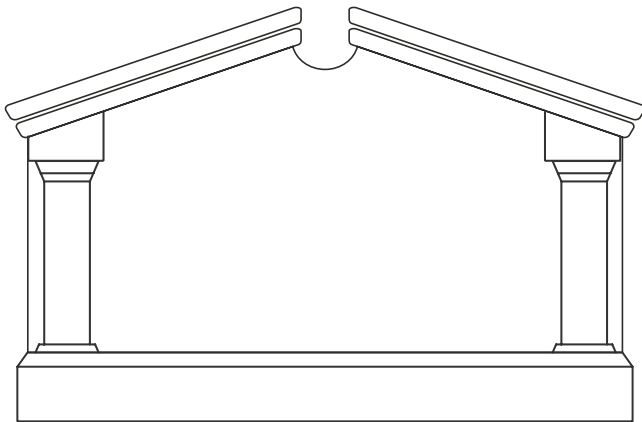
FDC_SGN901



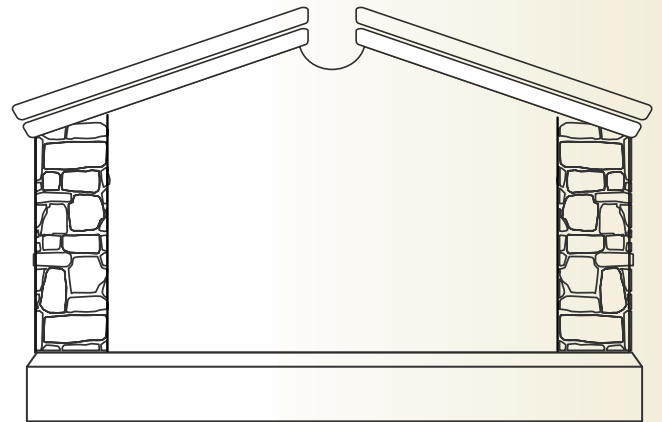
FDC_SGN902



FDC_SGN903



FDC_SGN904



FDC_SGN905